



*inspired by
craftsmanship*

Wizard

CNC machining center for window and door manufacturing



Wizard

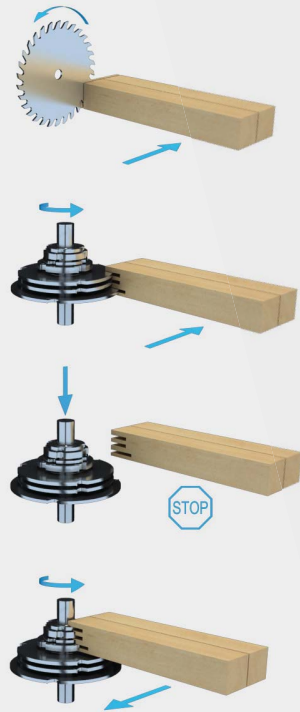
The window machining centre WIZARD comprises two independent machines, one tenoning and one profiling. An operator stays in front of the machine and controls the machining process. The window line Wizard is a first machine on the market using left spindle with HSK arbour for double side profiling of timber window components.



■ originality ■ quality ■ power ■ reliability ■ safety ■ easy to use

TENONING

The Wizard series, intended for window businesses of all sizes, offers high level performance. The Wizard 4L model, with its unique configuration, enables pre-squaring production. The tenoning operation is carried out by spindles long enough to comprise all tenoning tools. SOUKUP's unique tenoning cycle tenons and mills the outer shape of the timber end in a time-effective manner.

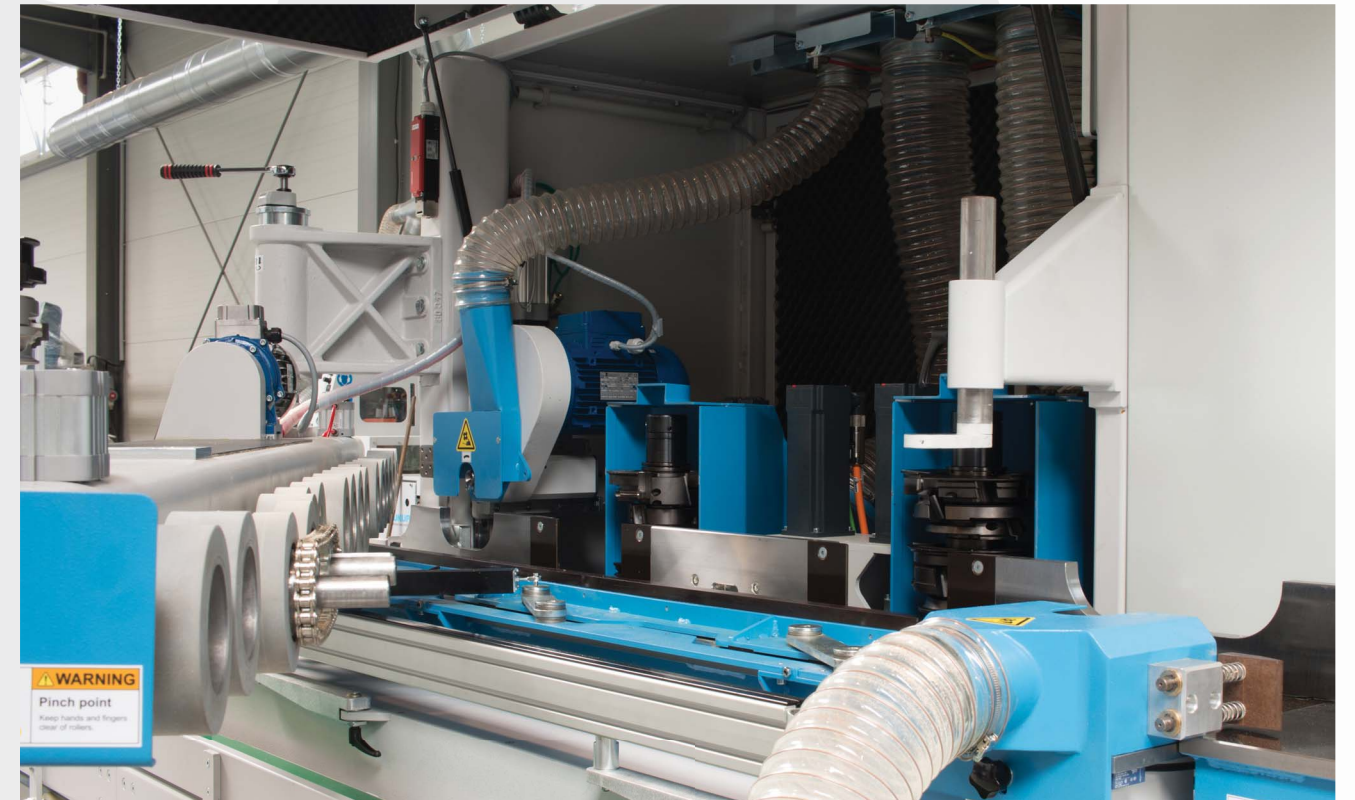


Tenoning machine with a forwards-backwards working cycle

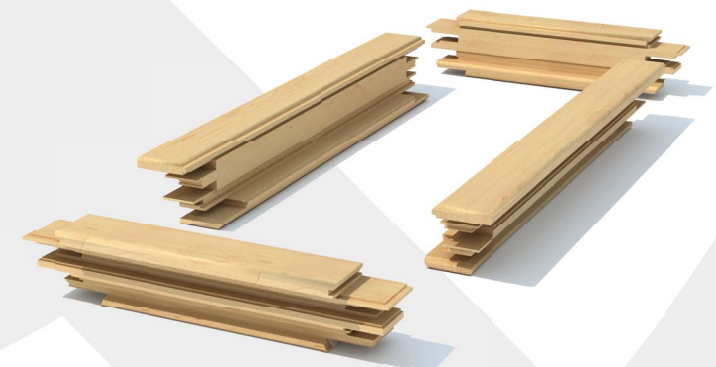
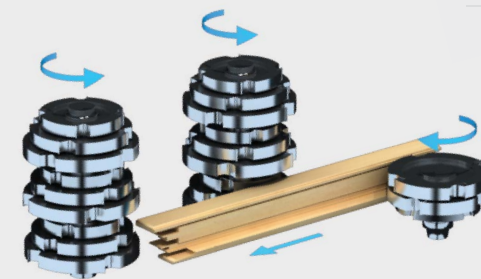


PROFILING

The duality of the left and right profiling spindles ensures what is essential on this system - precision. As only one single machine operation is involved, the process is incredibly fast and precise. All units are driven by high-speed brushless motors and the long gear feeder guarantees smooth surface finishes.



Profiling machine for complete moulding of timbers in one single operation



Full manufacturing of single elements for knock-down windows production

STORMPROOFING

Sashes made the traditional way can be rebated with the help of anisplitting tool. HSK shaft is removed and covered with worktop for stormproofing operations.



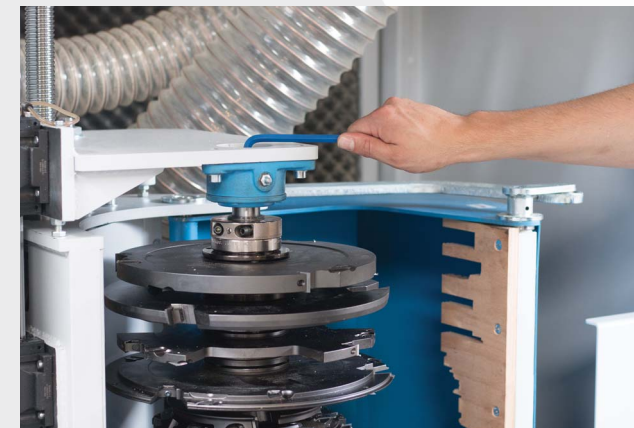
TOOL EXCHANGE

Quick tool exchange system with HSK arbour for left-working profiling unit



TENON TOOL EXCHANGE

Innovative change system for tenoning tools simplifies and accelerates the tool exchange with a long shaft with a contra support.



release shaft bearing using allen key



opening the upper cover containing the bearing



release hydro nut using allen key



chip breaking device for tenoning matches the tooling stack

Wizard

PRECISE CONSTRUCTION DETAILS



Highly precise feeding system with worm gears and cardan drives



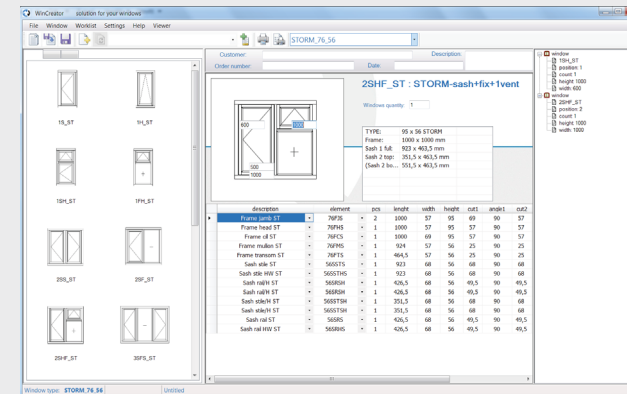
First class linear bearings for all linear guides on moving parts
Servodrives for quick and precise setup of units

WinCreator

FLEXIBILITY OF PRODUCTION



tilt&turn, casements, mock sash, double hung, Vienna box window, sliding sash ...



creation of window components on the computer in the office



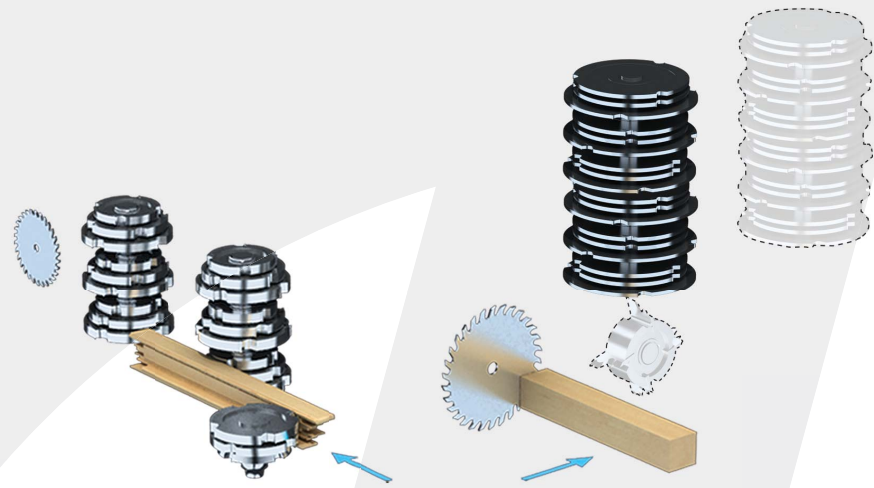
optimized work list of items for machining

SOUKUP control system

The WIZARD machine uses a high performance Beckhoff industrial control system. The SOUKUP team of experienced software specialists provide on-site training and support for your staff on our intuitive, easy-to-use control software. Our proprietary control systems are extremely flexible and provide custom solutions for all design details.

The creation of window components to be machined begins in WinCreator as a simulated workflow which is then sent to the machine and processed by the SOUKUP control system. WinCreator is compatible with all known window design software packages. The user-friendly intuitive environment makes machine control, tool set-up, tenoning, profiling and program-processing straightforward.

The control system is also open to third-party software packages.



Wizard 4L

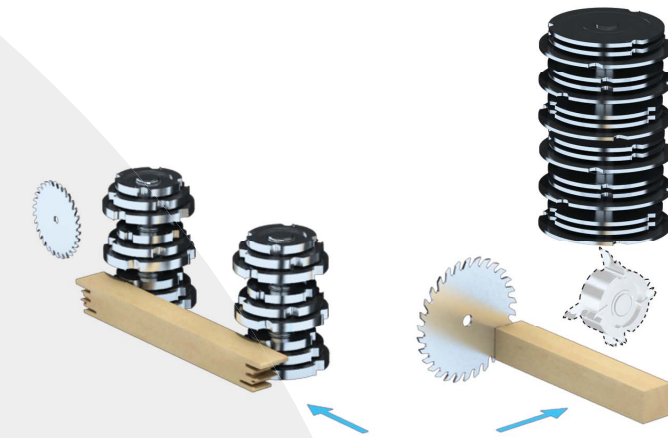
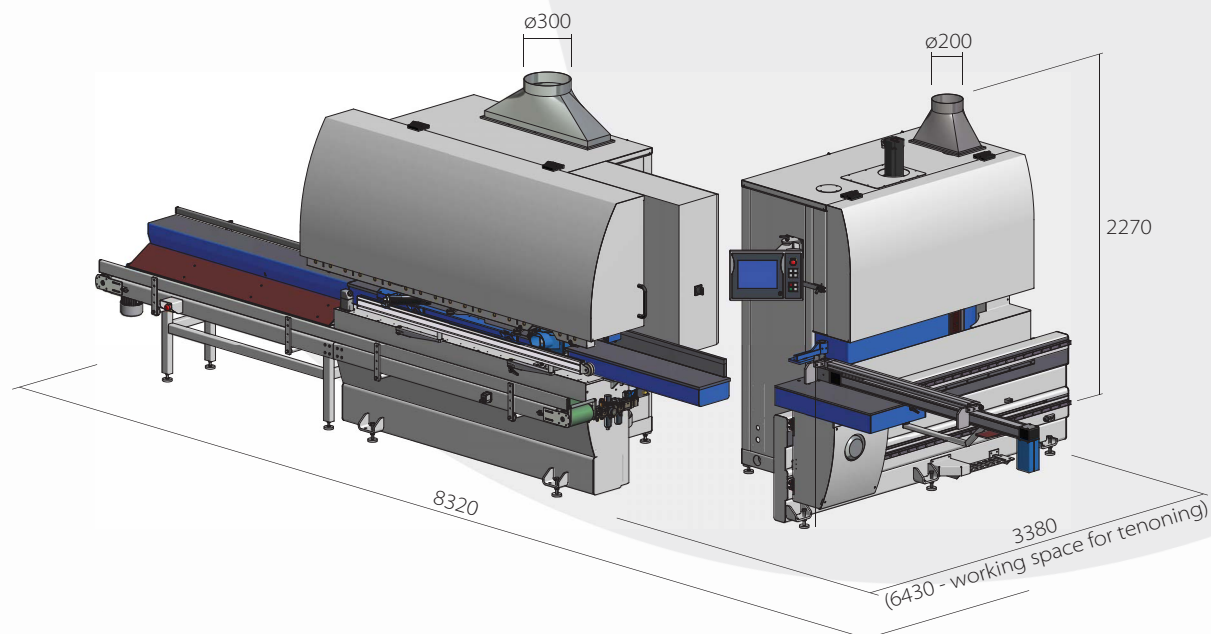
- industrial PC panel with screen 12"
- cut-off saw Ø 400 mm, motor 3kW (4 HP)
- tenoning carriage for tilting +/- 60°
- fence with electronic measuring system
- tenoning unit L = 620 mm, motor 11kW (16 HP), rpm 3000, max tool diameter 320 mm
- left profiling unit, motor 7,5kW (10 HP), rpm 6000, with ProLock® HSK-63F arbour
- 1st profiling unit L = 330 mm, motor 7,5kW (10 HP), rpm 6000
- 2nd profiling unit L = 330 mm, motor 7,5kW (10 HP), rpm 6000
- top milling unit, motor 2,2kW (3 HP), rpm 6000
- worm gears cardan drive feeding unit with 18 wheels and electronic speed variator
- central lubricating system

Optional:

- 2nd tenoning unit L = 620 mm, motor 11kW (16 HP), rpm 3000, max tool diameter 320 mm
- horizontal unit motor 4,5kW (6 HP) for sash horn moulding (optional)



Horizontal milling unit for heritage sash horn detail or trenching of sash box (optional)



Wizard 3S

- industrial PC panel with screen 12"
- cut-off saw Ø 400 mm, motor 3kW (4 HP)
- tenoning carriage for tilting +/- 60°
- fence with electronic measuring system
- tenoning unit L = 620 mm, motor 11kW (16 HP), rpm 3000, max tool diameter 320 mm
- 1st profiling unit L = 330 mm, motor 7,5kW (10 HP), rpm 6000
- 2nd profiling unit L = 330 mm, motor 10 HP (7,5kW), rpm 6000
- top milling unit, motor 2,2kW (3 HP), rpm 6000
- worm gears cardan drive feeding unit with 15 wheels and electronic speed variator
- central lubricating system

Optional:

- returning conveyor
- carriage for narrow sashes
- horizontal unit motor 4,5kW (6 HP) for sash horn moulding (optional)



(Contact SOUKUP specialists for further information on individual customized solutions)
 Technical data and description is subject of alteration. Pictures might show optional equipment that is not included in the standart machine specification.



SOUKUP s.r.o.
Komerční 518, 251 02 Prague - Nupaky, Czech Republic
Tel.: +420 241 403 110, E-mail: info@soukup.cz
www.soukup.cz

